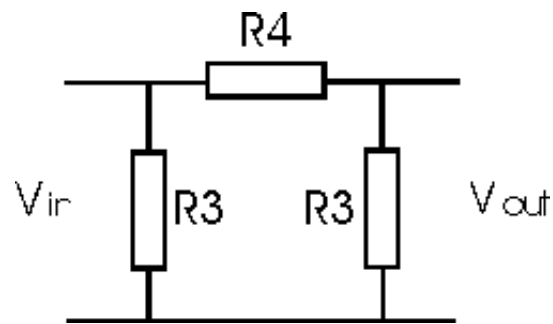




# Download

[Quest Software Secure Copy 7.3.0.335 Crack \[Full\]](#)



[Quest Software Secure Copy 7.3.0.335 Crack \[Full\]](#)



# Download

---

Quest Software Secure Copy 7.3.0.335 | File size: 94.3 MB Migrate or consolidate data quickly, safely and easily in dramatically less time than .... Quest Support Product Release Notification - Secure Copy 7.3 more. Subscribe to product RSS feed and receive the latest Knowledge Articles, New Release .... Download Quest Secure Copy 7.5 is a powerful, comprehensive migration solution that automates the copying of data between file servers without the use of .... Quest Software Secure Copy 7.3.0.335 ZeroIMPACT migration for file server data Secure Copy is an automated solution for securely migrating data, shares, printers and more. The tool gives you the flexibility ... Setup + Crack .. Seems unreasonable for a software that copies files, yet I have not been able to find a suitable alternative for it. Read full post. 8 Replies.. Download Secure Copy is an automated data migration solution that easily copies files and folders, NTFS security, file shares, local users and groups and .... Tag: Quest Software Secure Copy 7.3.0.335 + Crack [Full] ... Features: Securely migrate data Migrate not only files, but. "critical metadata that .... Resistor Color ...

ZeroIMPACT migration for file server data. Secure Copy is an automated solution for securely migrating data, shares, printers and more. The tool gives you the .... Secure Copy runs under the context of the logged on user. For full access to all files and folders on the source machine, the user must be a member of the .... Move (or copy) the script into your public\_html/cgi directory:.... More complex ... Quest Software Secure Copy 7.3.0.335 + Crack [Full] · Previous.. Quest Software Secure Copy , Migrate or consolidate data quickly, safely and easily in dramatically less time than native tools can deliver.. Secure Cloud to Cloud Migration ... Quest Software SQL Optimizer for SQL Server 10.0.3.509. Setup + Crack : ... Quest Software Secure Copy 7.3.0.335 ... Full performance automatically; Maximum privacy protection; Get rid off junk data ...

dee5df5a7f

[Duniyadari Gujarati 2 In Hindi Dubbed Download](#)

[Metasploit Pro Key Generator](#)

[poker rng 6.0 download free](#)

[Pixel Film Studios PROFILM Plugin For Final Cut Pro Xtorrent](#)

[analyticalreasoningbookpdfdownload](#)

[Christine mendoza Rare webcams glam cam private show](#)

[HD Online Player \(anohana movie download 720p 13\)](#)

[bajrangi bhaijaan telugu movie download](#)

[Brunori Sas Il Cammino Di Santiago In Taxi Vol3 2014 Full Album](#)

[Tomtom Go 720 Maps Europe Torrent](#)